

**NEMA 4X - ENCLOSURE  
19" RACKMOUNT - 39U HEIGHT  
FREE STANDING**

**72" H x 24" W x 30" D  
1 DOOR DESIGN**

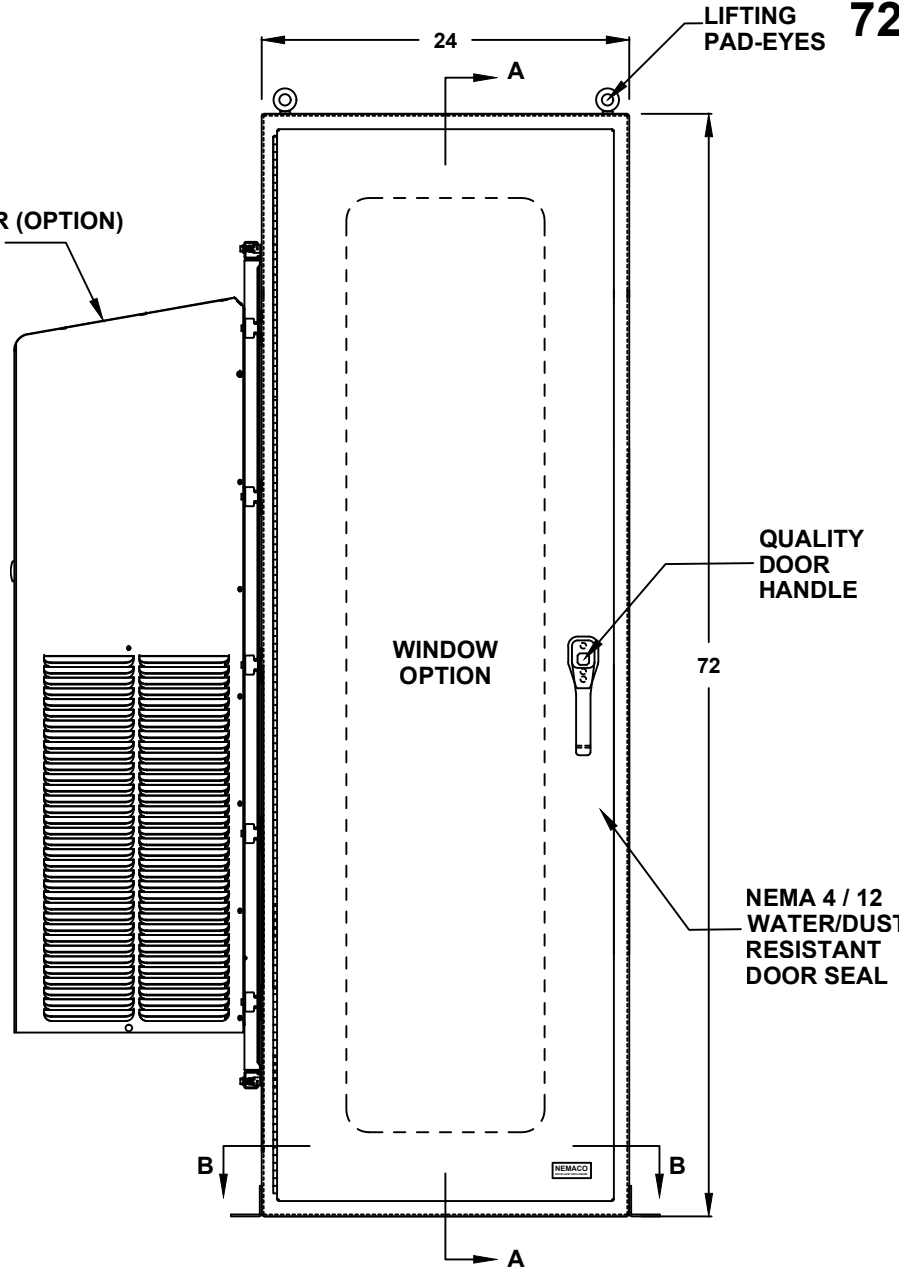
**STAINLESS STEEL**

AIR CONDITIONER (OPTION)  
REF. TO PAGE 2



FILE NUMBER: E507642

- ENCLOSURE MATERIAL**
- 304 STAINLESS STEEL (S4)
  - 316 STAINLESS STEEL (S6)
- CORROSION PROTECTION PACKAGE**
- EXTERIOR PASSIVATION (STANDARD)
  - INTERIOR/EXTERIOR PASSIVATION (OPTION)
  - NOT REQUIRED (ON REQUEST ONLY)
- POWDERCOAT COLOR**
- WHITE
  - LIGHT GRAY ANSI 70
  - DARK GRAY ANSI 61
  - BLACK
  - CUSTOM \_\_\_\_\_
- ENCLOSURE CONSTRUCTION**
- 14 GA THK.
  - 12 GA THK.
- ENCLOSURE DOOR HINGE**
- CONTINUOUS PIANO HINGE (STANDARD)
  - REMOVABLE LIFT OFF HINGE



- LIFTING EYES**
- WELDED PADEYES (STANDARD)
  - REMOVABLE PADEYES

- \*WINDOW OPTIONS**
- TINTED WINDOW
  - TEMPERED GLASS
  - NOT REQUIRED

- DOOR HANDLES**
- PADLOCK PROVISION (STANDARD)
  - KEYLOCK (OPTION)

- BASE EXTENSION**
- 4" BASE EXTENSION
  - 6" BASE EXTENSION
  - 8" BASE EXTENSION
  - 10" BASE EXTENSION
  - 12" BASE EXTENSION
  - NOT REQUIRED

\*NOTE: UL & NON-UL OPTIONS AVAILABLE

ALL DIMENSIONS ARE ESTIMATED IN INCHES AND MAY VARY DUE TO SELECTED OPTIONS.

\_\_\_\_\_  
COMPANY NAME

\_\_\_\_\_  
APPROVED (PRINTED NAME)

\_\_\_\_\_  
SIGNATURE

\_\_\_\_\_  
DATE

**FRONT VIEW**

**72" H x 24" W x 30" D  
1 DOOR DESIGN**

**A/C MATERIAL (EXTERIOR)**

- 304 STAINLESS STEEL
- 316 STAINLESS STEEL
- OTHER \_\_\_\_\_

**AIR CONDITIONER**

- 1000 BTU
- 2000 BTU
- 3000 BTU
- 4000 BTU
- 5000 BTU
- 6000 BTU
- 8000 BTU
- 10000 BTU
- 12000 BTU
- 15000 BTU
- 20000 BTU
- SPECIFY \_\_\_\_\_
- NOT REQUIRED

**A/C VOLTAGE/ HZ**

- 115 VOLTS
- 230 VOLTS
- 480 VOLTS
- 60 HZ
- 50 HZ
- 48 VDC (CS011 / NE040 A/C ONLY)

**A/C INTEGRATED HEATER**

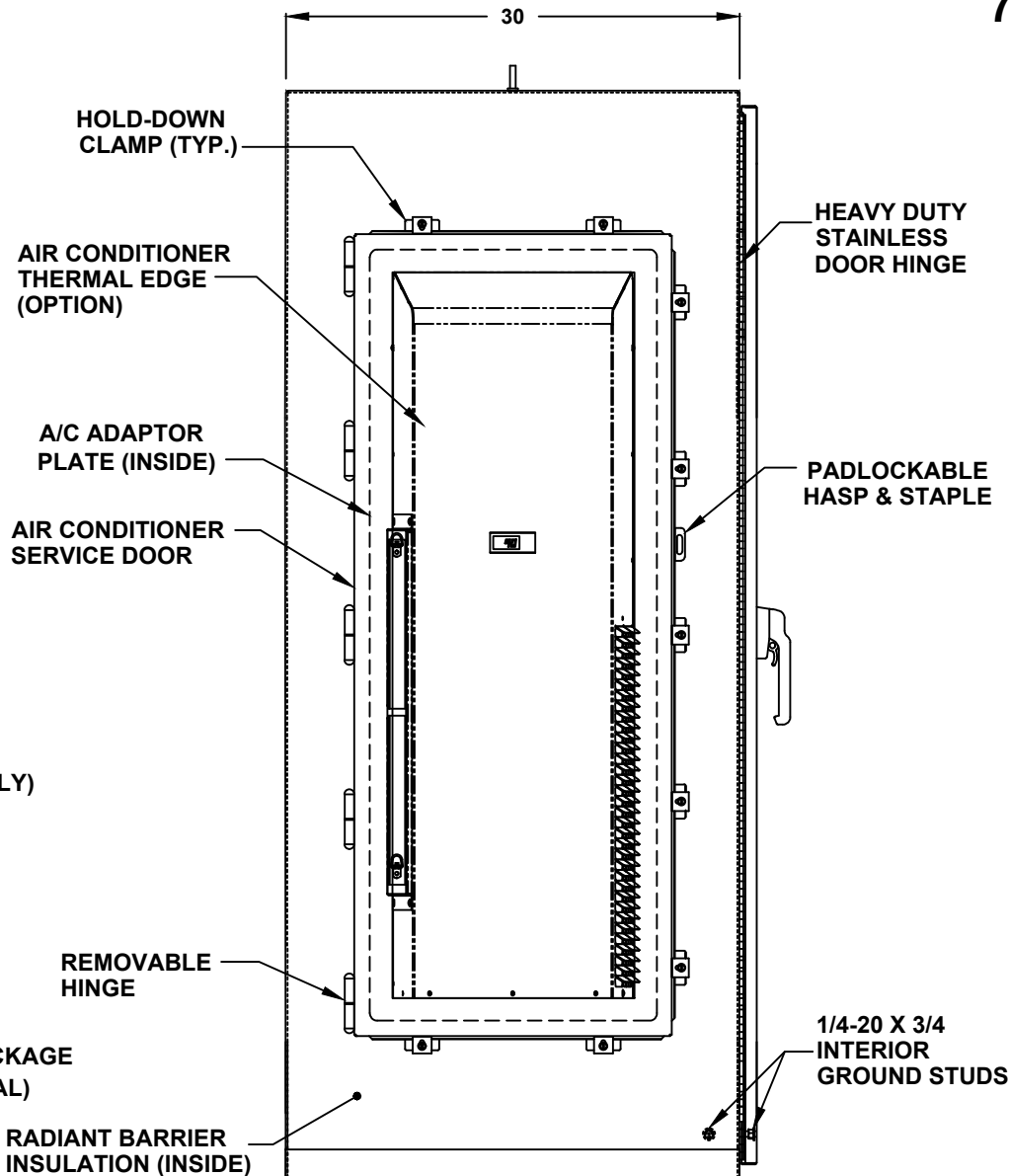
- 350 WATTS (CS011 A/C ONLY)
- 500 WATTS (C3020)
- 1000 WATTS
- EXTERNAL HEATER

**ADDITIONAL A/C OPTIONS**

- CORROSION PROTECTION PACKAGE
- DRY CONTACT (OUTPUT SIGNAL)
- 2" DEEP FILTERS
- PROXIMITY SWITCH (ON/OFF)

**AIR CONDITIONER- SCADA**

- MOBUS RTU 485 (2 WIRE)  
REMOTE NETWORK  
ETHERNET CONNECTION
- MOBUS GATEWAY  
ADD-ON



**SUN REFLECTIVE SOLUTION**

- TOP SUNSHIELD COVER

**THERMAL SPECIFICATIONS**

- OUTSIDE (AMBIENT) \_\_\_\_\_ °F
- INTERIOR TEMP. \_\_\_\_\_ °F
- HEAT LOAD (WATTS) \_\_\_\_\_
- SUN / SHADE \_\_\_\_\_

**ENCLOSURE INSULATION**

- 1/2 RADIANT BARRIER (STANDARD)
- 3/4 RADIANT BARRIER
- 1 RADIANT BARRIER
- NOT REQUIRED

**A/C SERVICE DOOR**

- INSTALL A/C SERVICE DOOR
- NOT REQUIRED

**A/C SERVICE DOOR HINGE**

- REMOVABLE HINGE
- CONTINUOUS HINGE

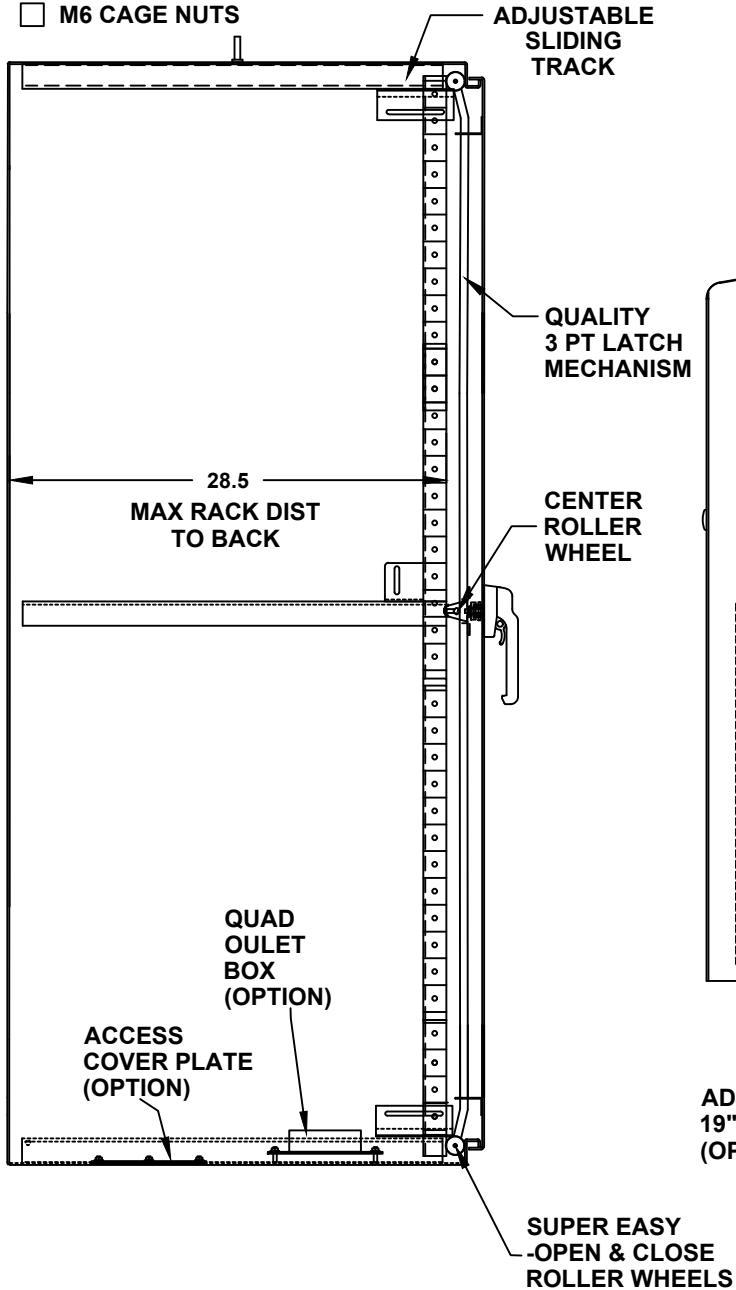
**A/C ADAPTOR PLATE**

- INSTALL A/C ADAPTOR PLATE
- NOT REQUIRED

LEFT SIDE

**RACK RAIL OPTIONS**

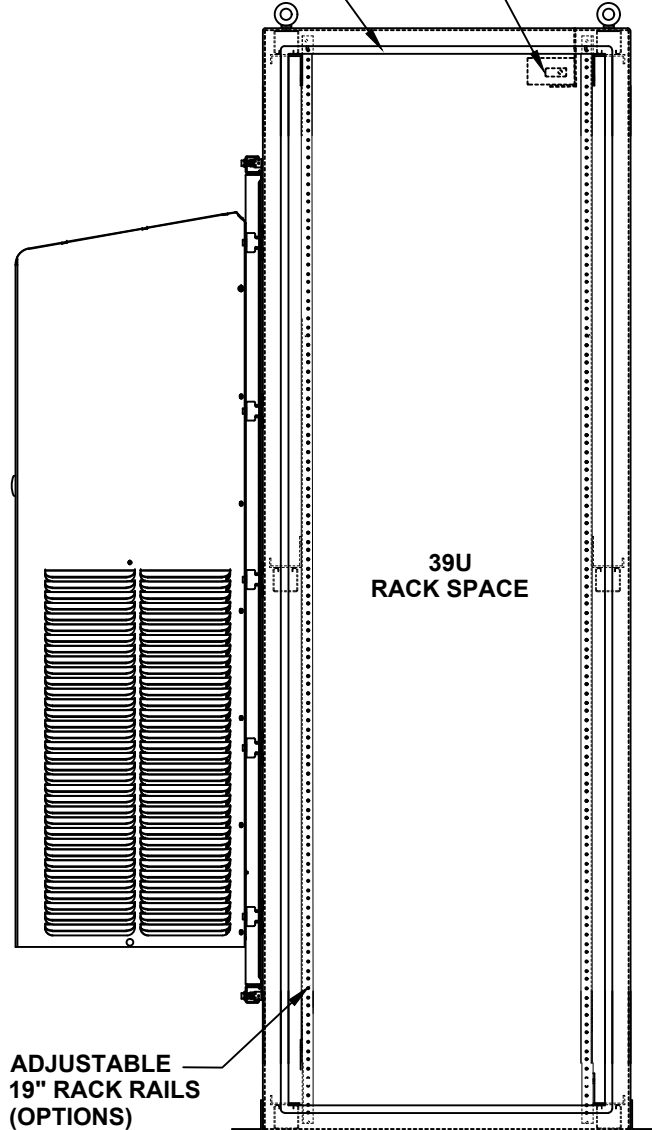
- BLACK CLIP NUTS, #10-32, (100 EA.)
- #10/32 HIGH POINT SCREWS (100 EA.)
- M6 CAGE NUTS



**CROSS SECTION VIEW A-A**

CONTINUOUS RAIN GUTTER ON ALL 4 SIDES

DOOR SWITCH (OPTION)



**FRONT VIEW WITH DOOR REMOVED**

**72" H x 24" W x 30" D  
1 DOOR DESIGN**

**DOOR OPTIONS**

- DOOR SWITCH
- PRINT POCKET

**DOOR SWITCH OPTIONS**

- 10A (STANDARD)
- 16A

**RACK RAIL POST**

- QTY 2 POST
- QTY 4 POST (REARDOOR REQUIRED)

**RACK RAIL MATERIAL**

- POWDER COATED STEEL (STANDARD)
- 304 STAINLESS STEEL

**RACK RAIL MOUNTING HOLES**

- #10-32 TAP (STANDARD)
- #1/4-20 TAP
- 3/8 SQUARE

**RACK RAIL TYPE**

- STANDARD GRADE
- HEAVY DUTY RAILS (OPTION)

**RACK SHELVES (OPTION)**

- STANDARD RACK SHELVES
- SLIDING RACK SHELVES
- RACK SHELF SUPPORT

**RACK DRAWERS (OPTION)**

- RACK DRAWERS
- LAPTOP DRAWERS

**OTHER OPTIONS**

- 19" RACK COPPER BUSBAR
- VERTICAL RACK PDU

# 72" H x 24" W x 30" D 1 DOOR DESIGN

**DOOR STOPPER**

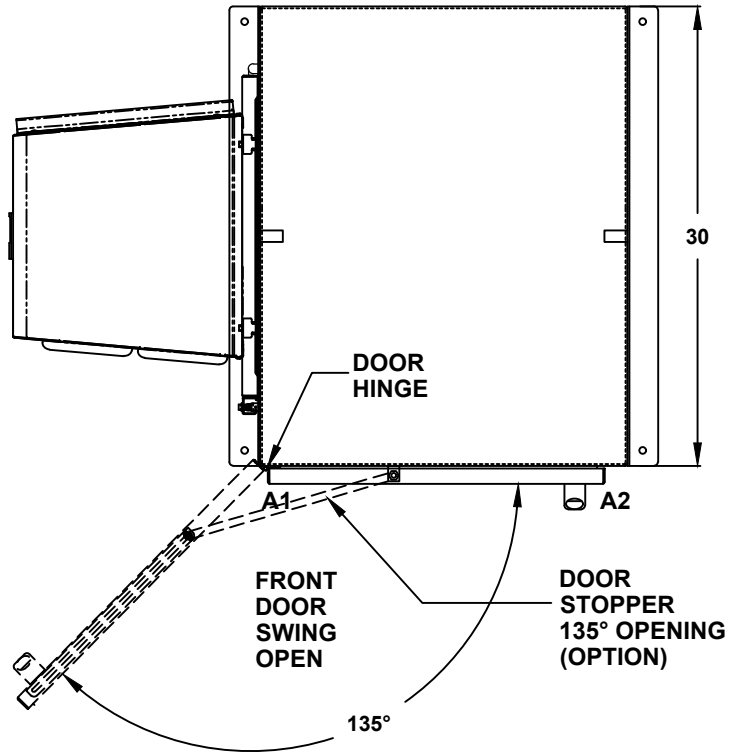
- INSTALL DOOR STOPPER
- NOT REQUIRED

**BASE ACCESS COVER PLATE  
(OPTION)**

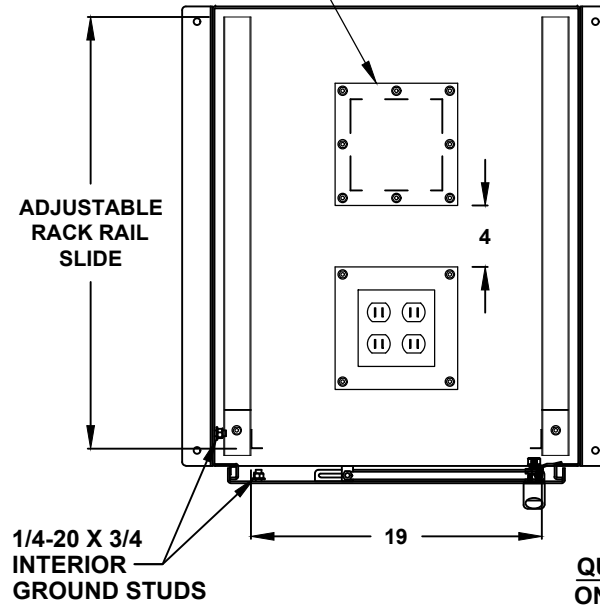
- 8x8 PLATE (6x6 CUT-OUT)
- 8x16 PLATE (6x14 CUT-OUT)
- 12x12 PLATE (10x10 CUT-OUT)
- 16x16 PLATE (14x14 CUT-OUT)

**SIDE ACCESS COVER PLATE MAT'L**

- POWDER COATED STEEL
- POWDER COATED ALUMINUM
- STAINLESS STEEL, 304



**TOP VIEW**



**TOP CROSS SECTION VIEW B-B**

**CONDUIT/CABLE SEAL OPTIONS**

- ROXTEC SEAL SOLUTION
- PIPE FITTING HUB
- CABLE GLAND

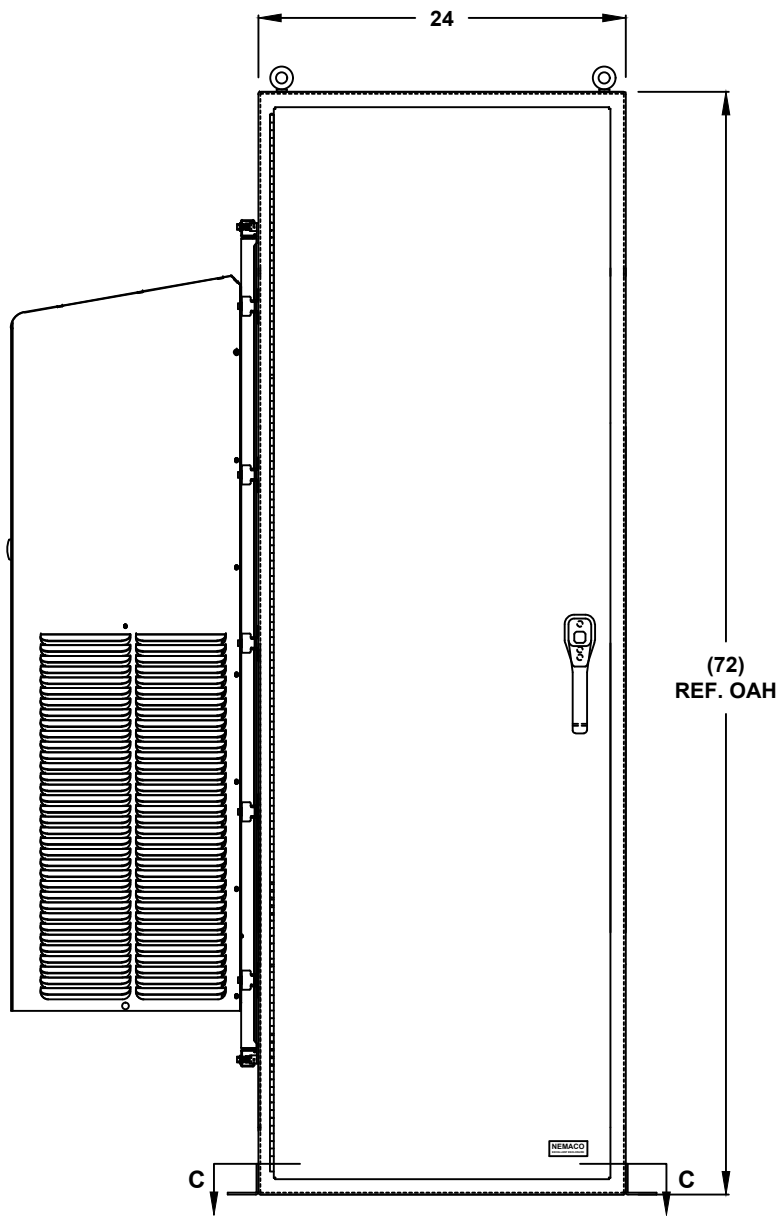
**QUAD OUTLET BOX  
ON 8x8 PLATE (OPTION)**

- ADD QUAD BOX
- NOT REQUIRED

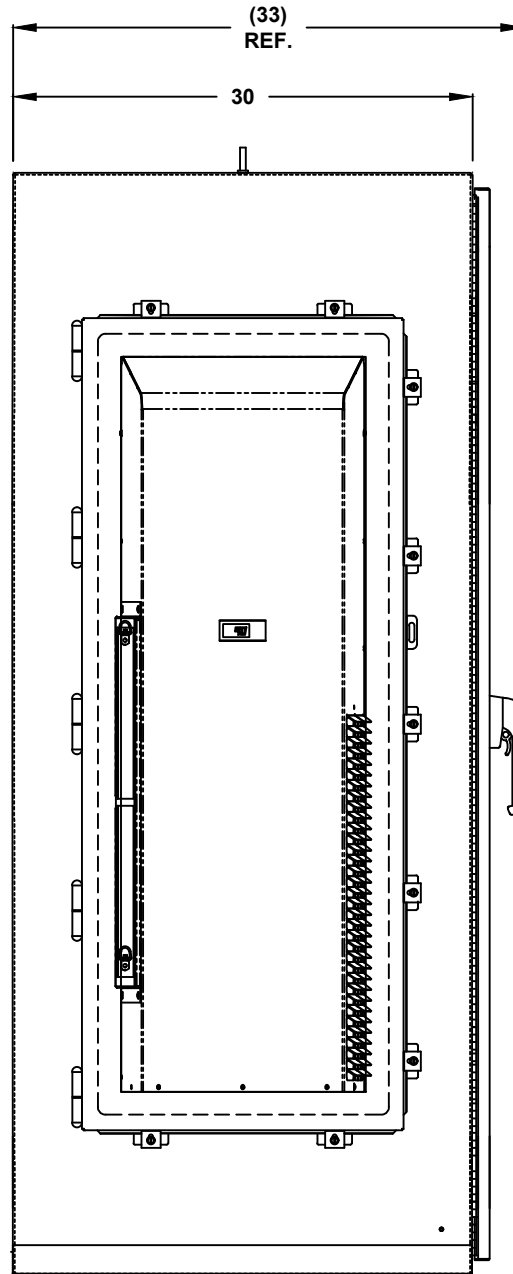
**OUTLET BOX AMP.**

- 15A
- 20A

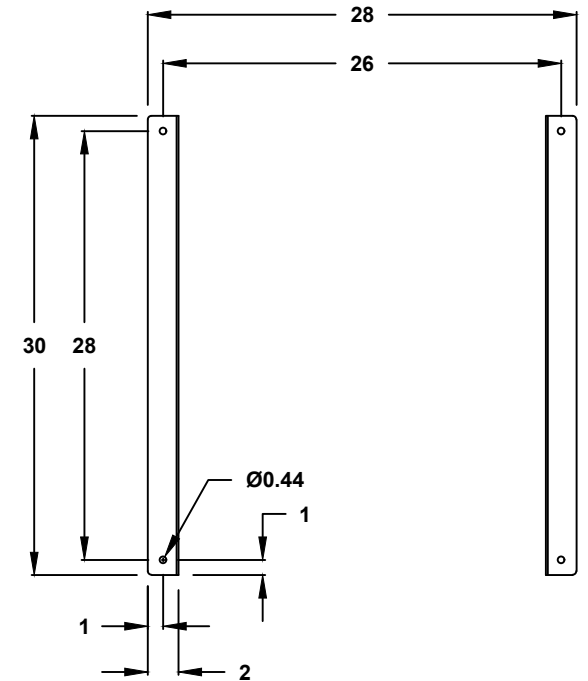
**72" H x 24" W x 30" D**  
**1 DOOR DESIGN**



FRONT VIEW



LEFT SIDE



CROSS SECTION VIEW C-C  
MOUNTING HOLES